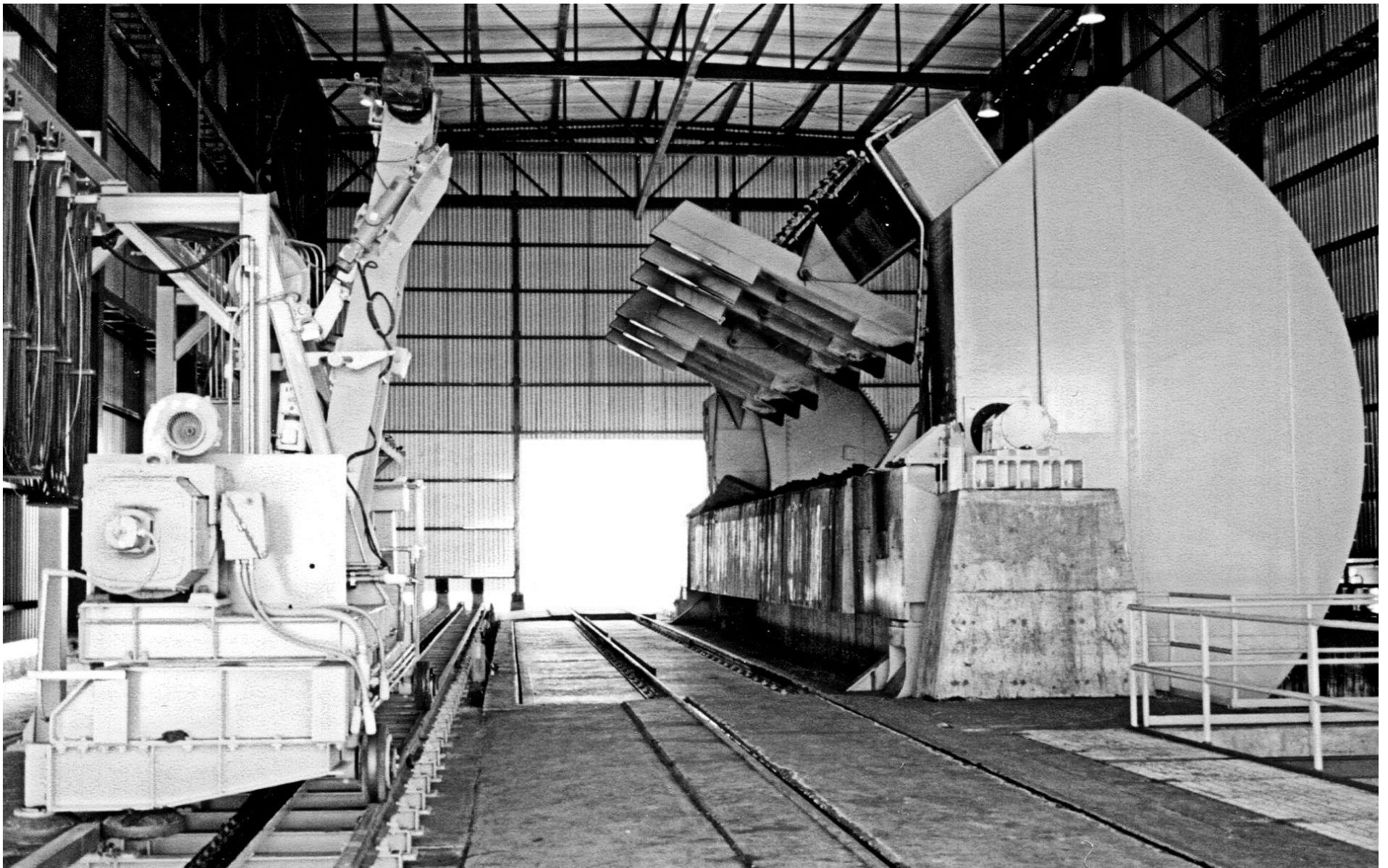


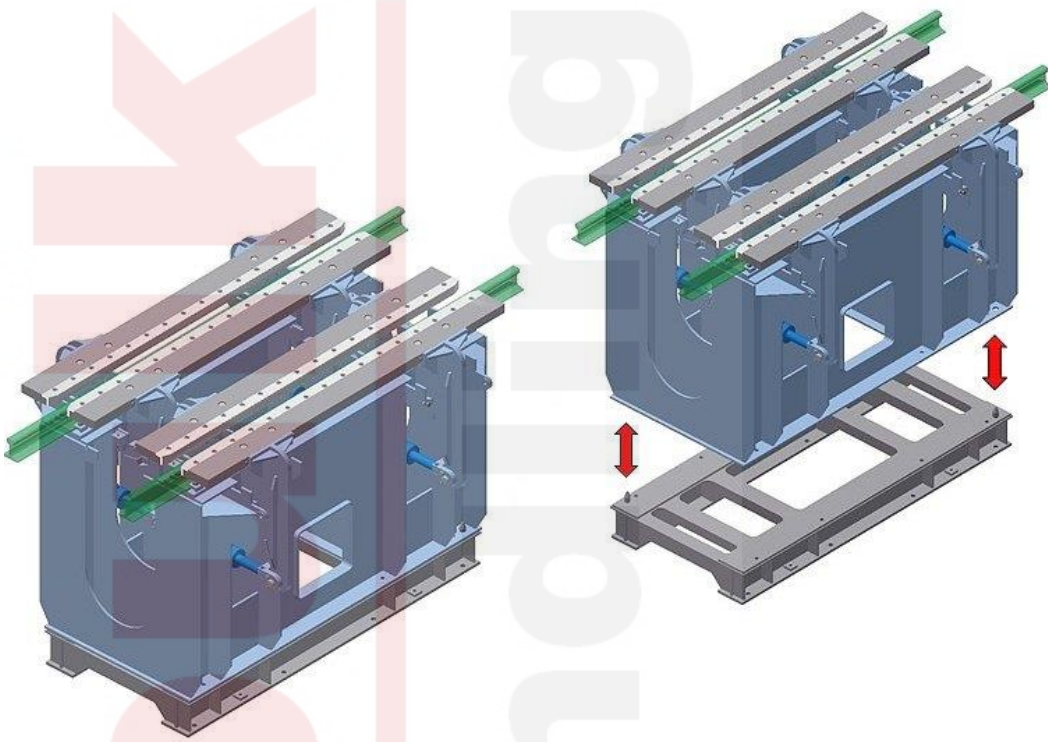
ashton bulk

materials handling

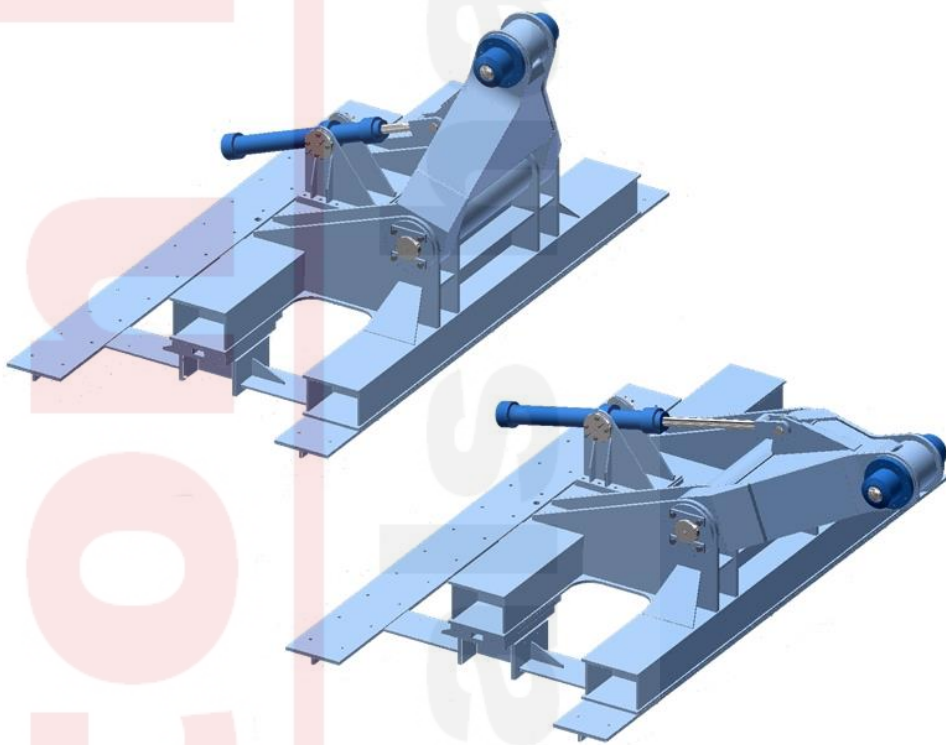


Ashton Bulk Range of Train Holding Devices – Wheel Grippers / Wheel Chocks / Train Locks

All Designs Modular for Adaptation to Client Precise Specifications



Wheel Grippers for High Capacity
Train Unloading Applications
Nominal Capacity 20 tonnes per Unit
Paired with Unit Train or Random Wagon Systems
Utilised Singly or Multiple Units in in Series
Retractable Design for Ease of
Maintenance & Replacement



Train Locks for High Capacity
Train Unloading Applications
Nominal Capacity up to 50 tonnes per Unit
Paired with Unit Train Systems
Utilised Singly or Pairs
Suitable for Wagons with Corner
Pushing Pads Only
Installation Above Ground Level



Wheel Chocks for Low to Medium Capacity
Train Unloading Applications
Nominal Capacity 20 tonnes per Unit
Paired with Unit Train or Random Wagon Systems
Utilised in Pairs or Groups of Four
Installation Above Ground Level