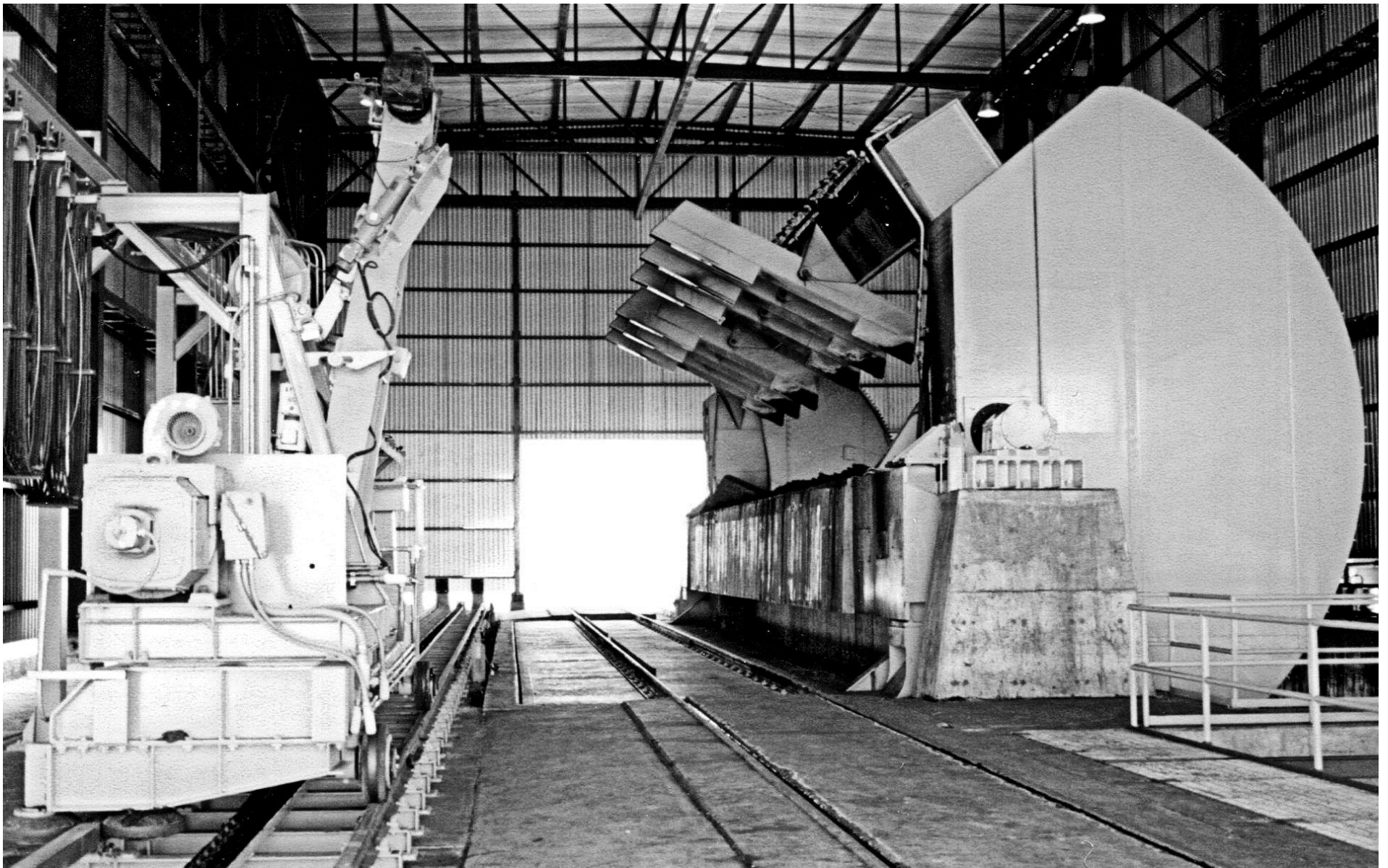


# **ashton bulk**

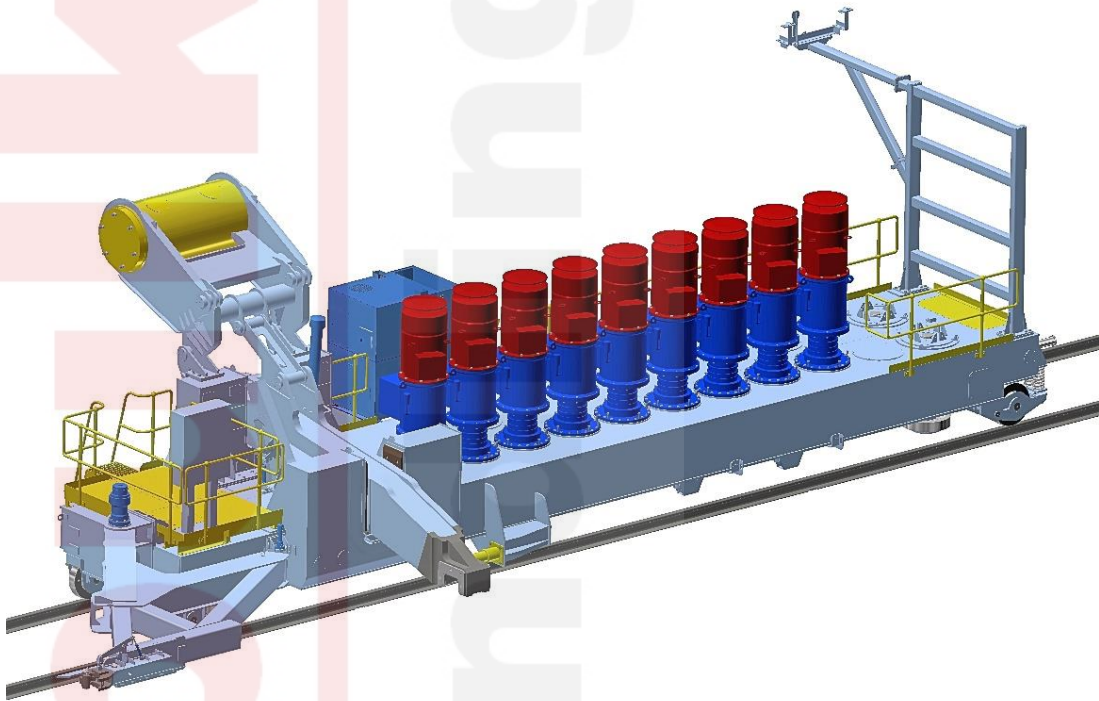
---

## **materials handling**



Ashton Bulk Range of Train Moving Devices – Positioners / Indexer / Side Arm Chargers

All Designs Modular for Adaptation to Client Precise Specifications

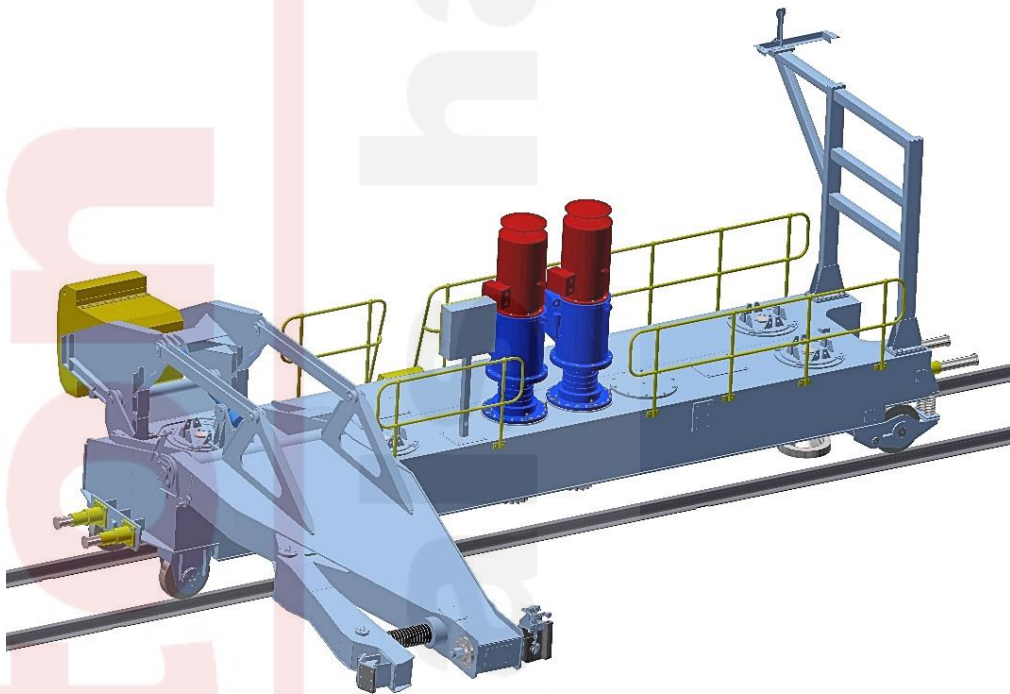


High Capacity  
Unit Train Positioner

Hauling Capacity <120 tonnes

Paired with Single or Multi-Wagon  
Unit Train Tipplers

Designed for Minimum  
Service Life of  
6 Million Cycles

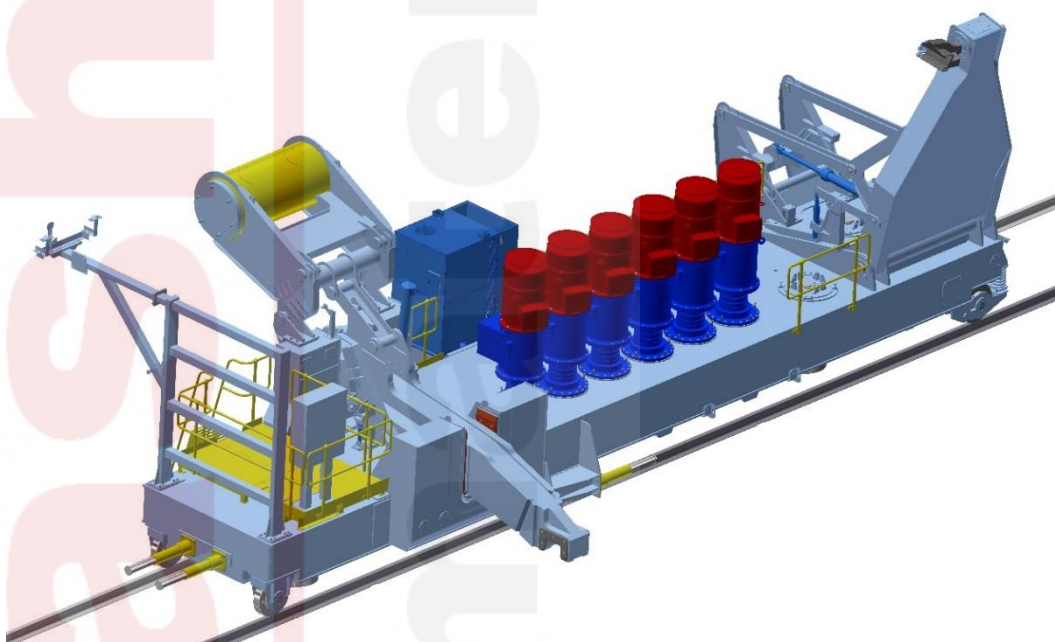


Medium Capacity  
Random Wagon (Uncoupled  
for Unloading)

Train Indexers & Side Arm  
Chargers

Hauling Capacity:  
Indexers up to 100 tonnes  
Side Arm Chargers up to 50  
tonnes

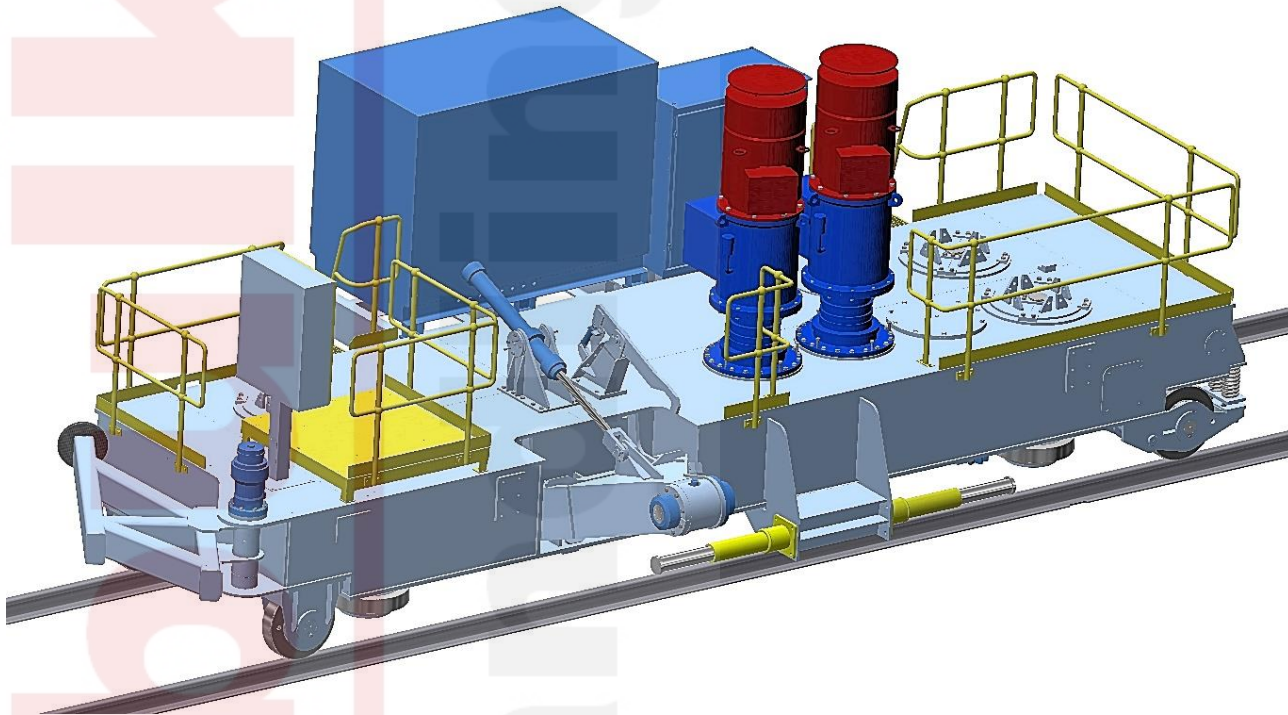
Paired with Single or Multi-  
Wagon  
'C' Frame Tipplers



High Capacity  
Combined Function Unit Train  
Positioner & Train Indexers

Hauling Capacity Indexers <  
120 tonnes

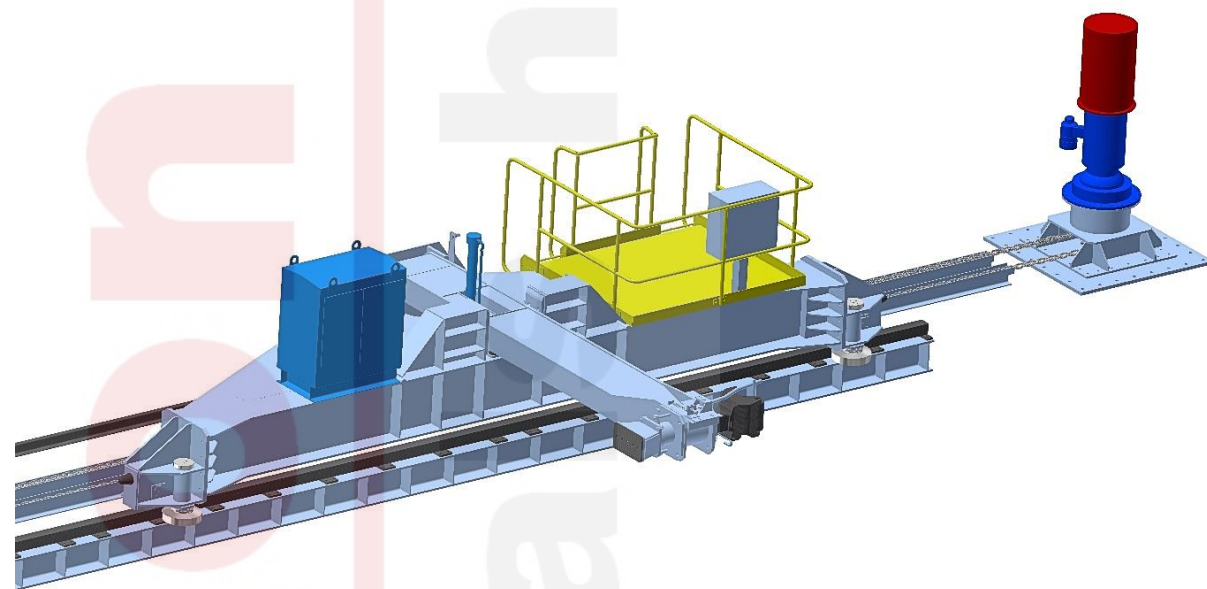
Paired with Single or Multi-  
Wagon  
'C' Frame & 'O' Frame Tipplers



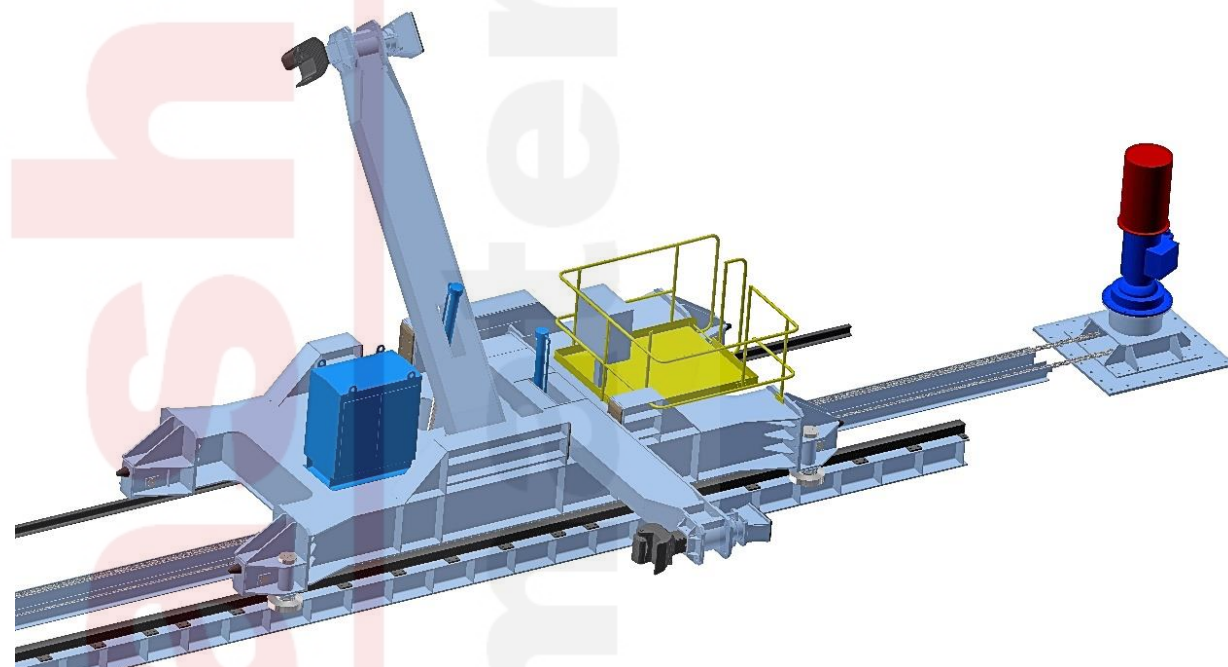
Corner Pusher  
Unit Train Positioner  
Utilised Singly or in Pairs

Hauling Capacity:  
Single up to 50 tonnes  
Paired up to 100 tonnes

Designed for Minimum  
Service Life of  
6 Million Cycles



Light Duty Side Arm  
Charger  
Hauling Capacity up to 20  
tonnes  
Paired with Single or Multi-  
Wagon  
'C' Frame & 'O' Frame  
Tippers  
or  
Suitable for Train Load Out  
Facilities



Light Duty Side Arm  
Charger for  
Dual Line Operation  
Hauling Capacity up to 20  
tonnes  
Paired with Single or Multi-  
Wagon  
'C' Frame & 'O' Frame  
Tippers  
or  
Suitable for Train Load Out  
Facilities